



Detection System Specifications

NoTraffic's groundbreaking, edge-based artificial intelligence sensors provide unparalleled vehicle detection and roadway user classification accuracy. NoTraffic smart sensors leverage multiple inputs of next generation video and radar, coupled with the most advanced Artificial Intelligence edge processors and algorithms never before applied to Traffic Operations.



NoTraffic
Sensor Unit



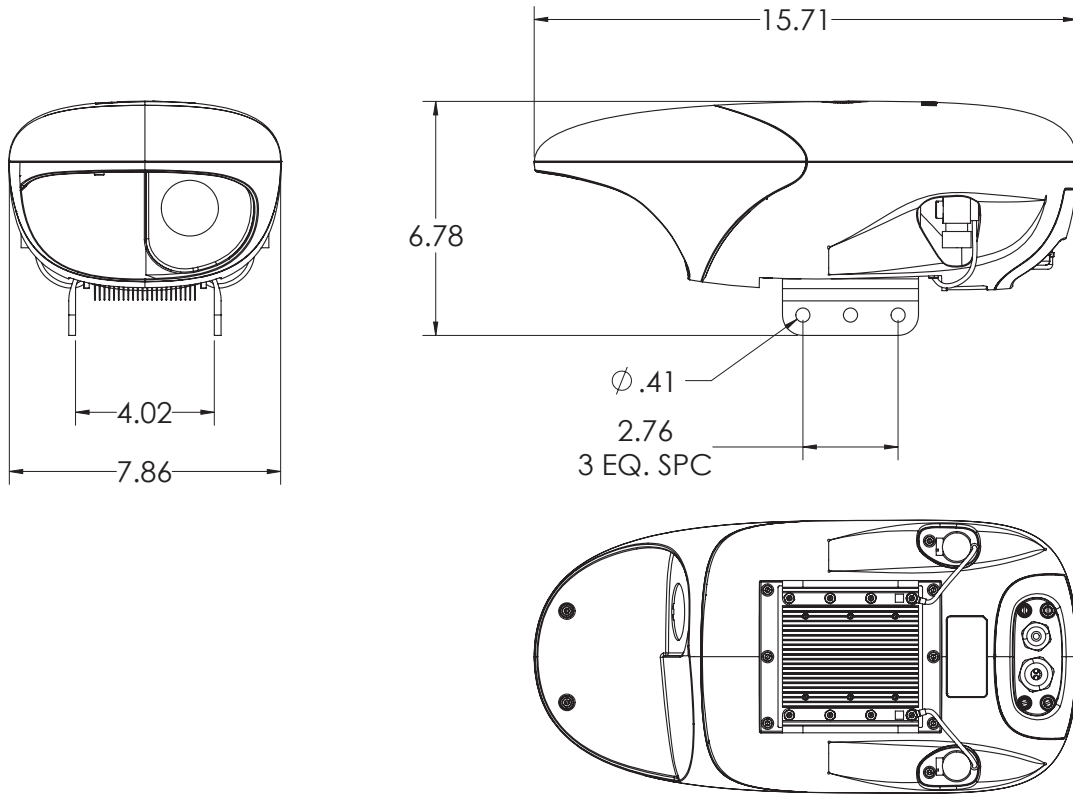
NoTraffic
App Engine

Presence Detection:	99.99% stop bar accuracy
Advanced Detection	Up to 600ft
Sensory Input Types:	Video and Radar
Classification:	High Accuracy vehicle and Vulnerable Roadway User detection and classification in all Conditions including pedestrians, bicyclists, scooters Standard FHWA defined vehicle classifications with Agency customizable classification categories
Installation Requirements:	Simple Plug & Play installation – only requires power and mounting. Secure wireless connection to in-cabinet interface - the Traffic App Engine
Processing:	Sensor-based edge processing with high-powered AI GPU
Monitoring and Management Tools:	Cloud-based monitoring and management dashboard and communications included
NoTraffic Monitoring and Customer Support:	24/7/365 NOC monitoring service included to ensure detection reliability
Additional Applications:	Supports the NoTraffic Intersection App Store - Additional applications are simple software downloads
Hardware Warranty:	5-year Hardware Warranty
System Upgrades:	Over-the-air (OTA) upgrades

Technical Specifications

	NoTraffic Sensor Unit	Traffic App Engine
Temperature and Humidity	-30°F to +165°F, up to 95 % RH per NEMA TS2	
Ingress Protection	IP67 per IEC-60529	IP20 per IEC-60529
Shock & Vibration	Shock: 10g Handling, 30g Crash safety Vibration: 1.5GRMS operational, 5g Endurance per IEC-60068-2, NEMA TS-2	
Qualification Environmental test	Salt Fog, Freeze/Thaw, Fogging per MIL-STD-810G	
Weight	6 lb. 13 oz., 7 lb. 15 oz w/DSRC & C-V2X Roadside Unit	5 lb. 8 oz.
Dimensions	L 15.71 in. x W 7.86 in. x H 6.78 in	L 17.56 in. x W 9.28 in. x H 3.43 in.
Detector I/O		NTCIP, SDLC, NEMA TS-1 & TS-2, ABC, or Caltrans C1/C11
Video	Supports 1080p@30FPS MJPEG stream	
Regulatory	FCC	
Radar	60GHz Operating Frequency (V Band)	
Cloud Communications		4G/5G
Wi-Fi	Wi-Fi – IEEE 802.11a/n/ac 5GHz	
Bluetooth		Bluetooth v4.2 +EDR, Class 1, 2 and 3
CAV Roadside Unit	DSRC - SAE J2735, USDOT RSU v. 4.1 + C-V2X	
Power	90V-264 VAC 50/60Hz	
Max Consumption	40W	
Mounting	Pelco Astro-Brac, other mounting adapters available on request	NEMA TS-2 style, Caltrans 332, Shelf mounting, rack mounting available on request

NoTraffic Sensor Unit



NoTraffic App Engine

